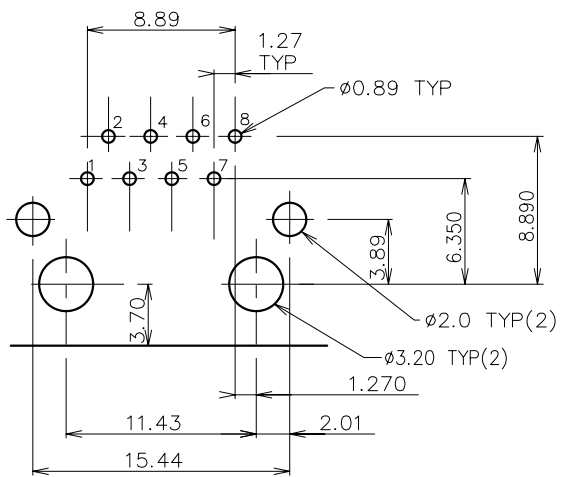


Tous droits strictement réservés. Reproduction ou communication a des tiers interdite sous quelque forme que ce soit sans autorisation écrite du propriétaire. Propriété de © FCI ELECTRONICS.

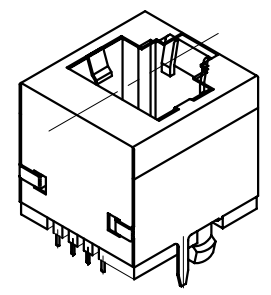
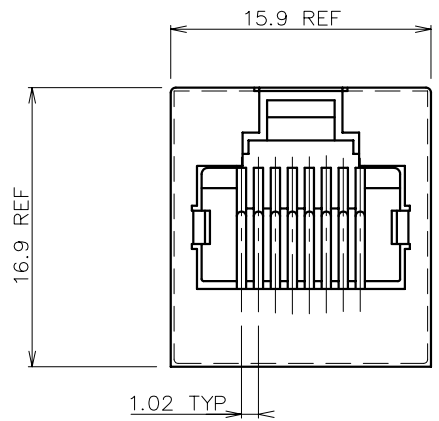
All rights strictly reserved. Reproduction or issue to third parties in any form whatever is not permitted without written authority from the proprietor. Property of © FCI ELECTRONICS.



RECOMMENDED PC BOARD LAYOUT

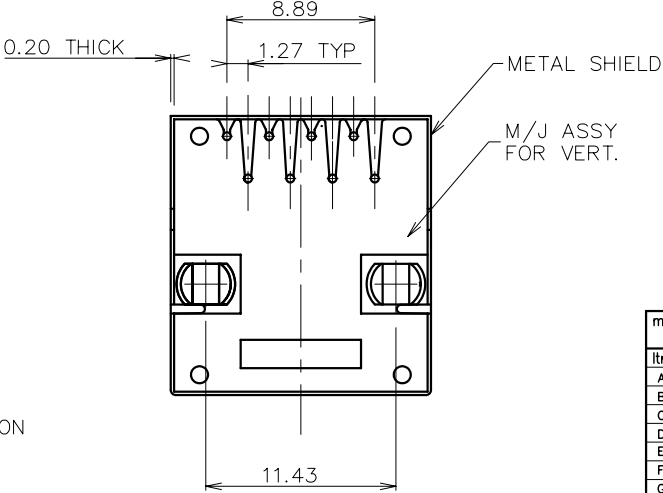
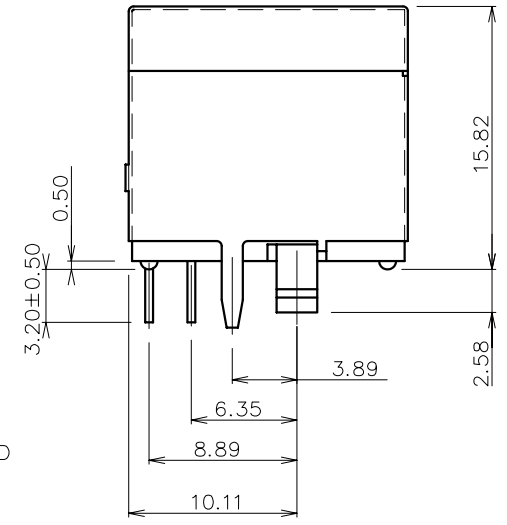
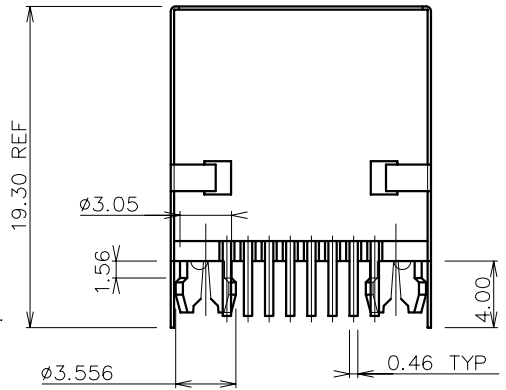
NOTES:

1. RECOMMENDED P.C.B THICKNESS 1.60 MM
2. HOUSING MAT'L: NYLON 66,25% G.F UL 94V-0, BLACK.
3. CONTACTS: PHOS BRONZE ALLOY UNS-C51000, ϕ 0.460 ROUND WIRE, PLATING SEE TABLE.
4. METAL SHELL MATERIAL:
 COPPER ALLOY, 0.20mm THICK FOR 91139-XXX
 FINISH: TIN-LEAD 100 μ THICK MIN.
 FOR 91139-XXXLF
 FINISH: UNDERPLATING WITH 50 μ MIN. NICKEL OVERPLATING WITH 80 μ MIN PURE BRIGHT TIN
5. PACKAGING : GES-14-351, USE TRAY
6. ALL DIMENSIONS IN MINIMETER.
7. IF LF P/N THE PRODUCT MEETS EUROPEAN UNION DIRECTIVES AND OTHER COUNTRY REGULATIONS AS DESCRIBED IN GS-22-008
8. IF LF P/N THE HOUSING WILL WITHSTAND EXPOSURE TO 260°C PEAK TEMPERATURE FOR 10 SECONDS IN A WAVE SOLDER APPLICATION WITH A 1.60mm MINIMUM THICK CIRCUIT BOARD
9. IF LF P/N PACKAGING MEETS GS-14-920 SPECIFICATION



P/N	WIRE NUMBERS LOADED	PLATING
91139-088	ALL	30 μ " G.X.T.
91139-588	ALL	50 μ " G.X.T.
91139-088LF	ALL	30 μ " G.X.T.
91139-588LF	ALL	50 μ " G.X.T.

LEAD FREE PRODUCT NO.



mat'l. code				tolerances unless otherwise specified		CUSTOMER COPY		FCI Electronics	
ltr	ecn no	dr	date	linear	.X \pm .25	projection	www.fciconnect.com		
A	T50107	C L	4/17/95		.XX \pm .13	⊕	title		
B	T50355	C L	11/23/95		.XXX \pm .05	⊕	8 POS VERT PCB. M/J ASSY		
C	V70335	C L	3/11/97	angles	0' \pm 2'	mm	SHIELDED, WITHOUT PANEL STOP		
D	T90381	JSR	11/10/99	dr	C L FENG 4/17/95	scale	product family		
E	T03-0443	WL	10/06/03	enr	TONY CHIEN 4/17/95	3:1	size dwg no		
F	N04-0040	ZC	08/16/04	chr	TONY CHIEN 4/17/95		code		
G	N04-0115	YS	12/06/04	appd	JENN TSAO 4/17/95		sheet 1 of 1		
sheet index	revision	sheet		c		A3		91139	